

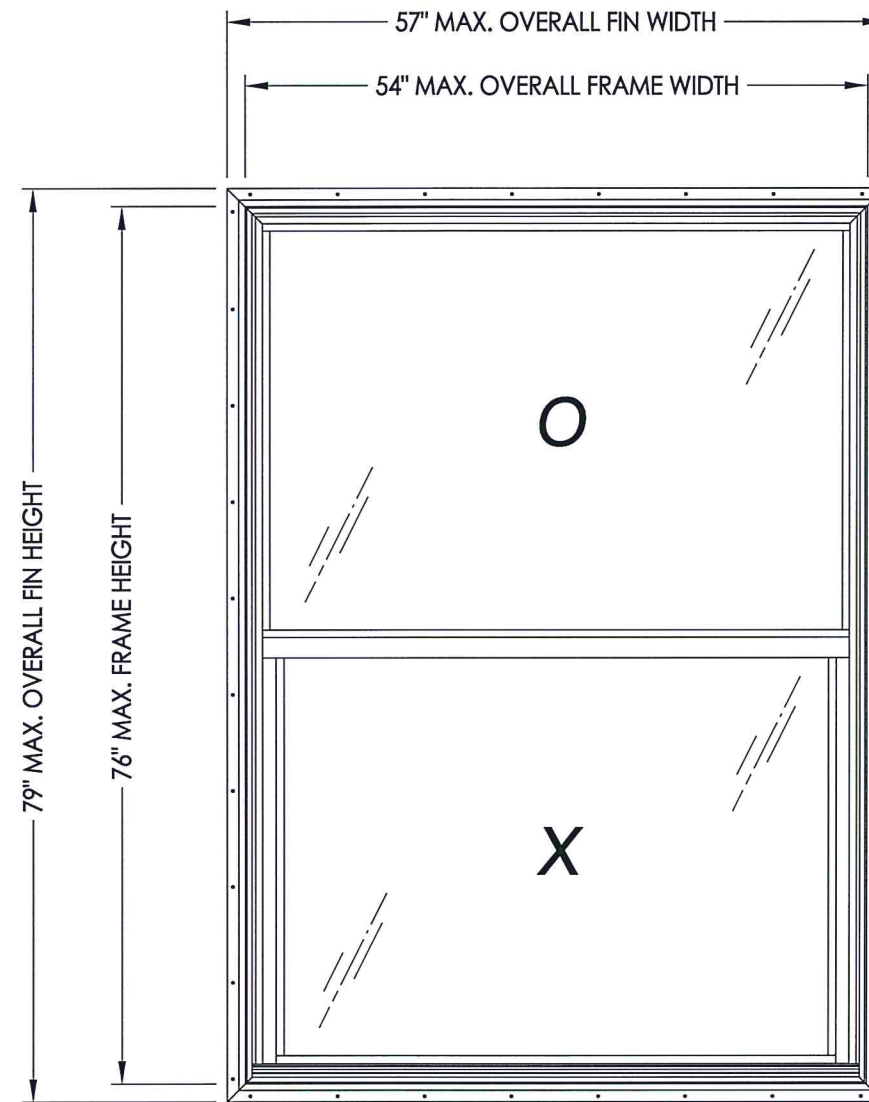
9450 Single Hung Window

IMPACT RATED - HVHZ
w/ Nailing Fin

GENERAL NOTES


1. This product anchoring drawing has been evaluated and is in compliance with the 5th Edition (2014) Florida Building Code (FBC) including the "High Velocity Hurricane Zone" (HVHZ). See the Certification Agency Certificate for sizes, specifications & ratings.
2. Product anchors shall be as listed and spaced as shown on details. Anchor embedment to base material shall be beyond wall dressing or stucco.
3. When used in the "HVHZ", this product complies with Section 1626 of the Florida Building Code and does not require an impact resistant covering.
4. Site conditions that deviate from the details of this drawing require further engineering analysis by a licensed engineer or registered architect.

TABLE OF CONTENTS	
SHEET#	DESCRIPTION
1	Typical elevations, design pressures & general notes
2	Vertical & horizontal cross sections
3	Vertical & horizontal cross sections
4	Buck & frame anchoring
5	Components
6	Bill of materials and glazing details



MAX. OVERALL FIN DIMENSION	MAX. OVERALL FRAME DIMENSION	MAX DAY LITE DIMENSION (OPERABLE)	MAX DAY LITE DIMENSION (FIXED)	GLASS TYPE	DESIGN PRESSURE (PSF)	
					POS.	NEG.
57.0" X 79.0"	54.0" X 76.0"	47.25" x 34.38"	49.75" x 34.5"	G1	+55.0	-65.0

Note: This product is not approved for use above 30 feet in the "HVHZ".



Documents Prepared By:
Lyndon F. Schmidt
P.E. No. 43409

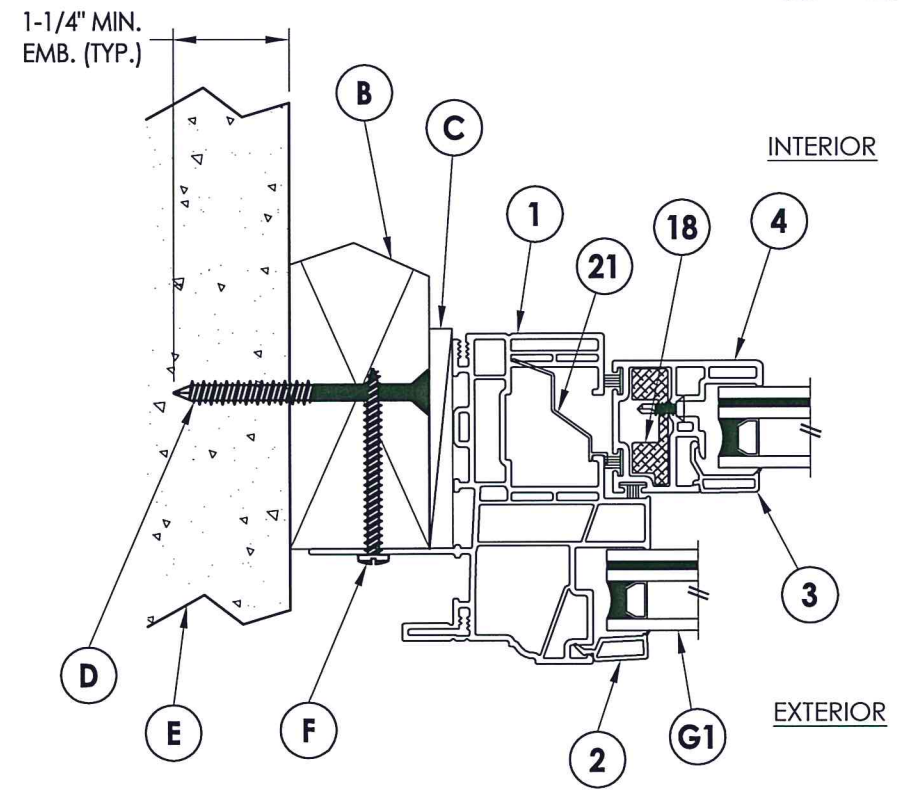
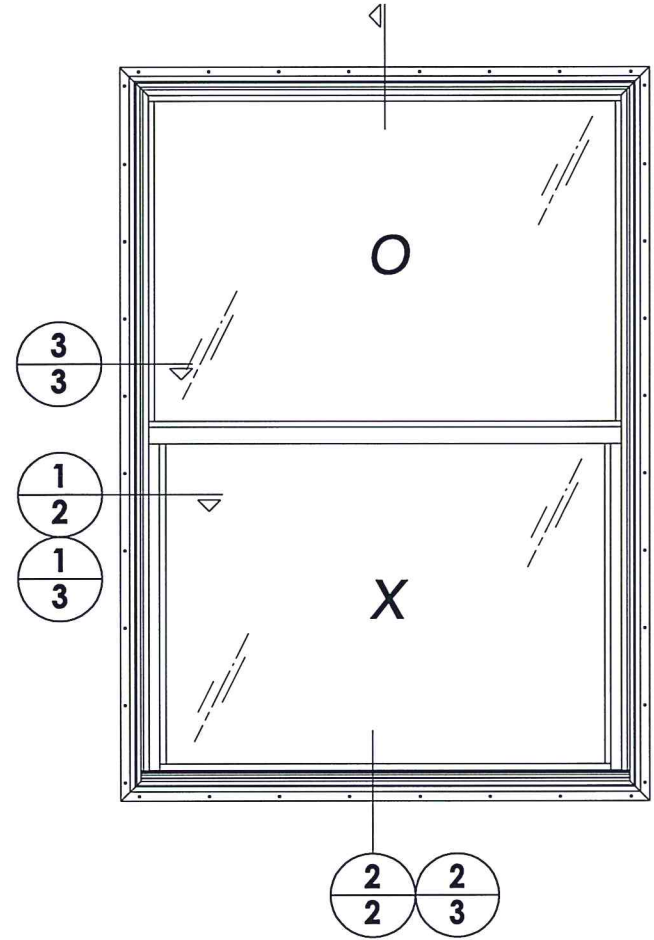
LFS
6.30.15

R.W. BUILDING CONSULTANTS, INC.
P.O. Box 230, Valrico, FL 33595
Phone No.: 813.659.9197
FBPE C.A. No. 9813

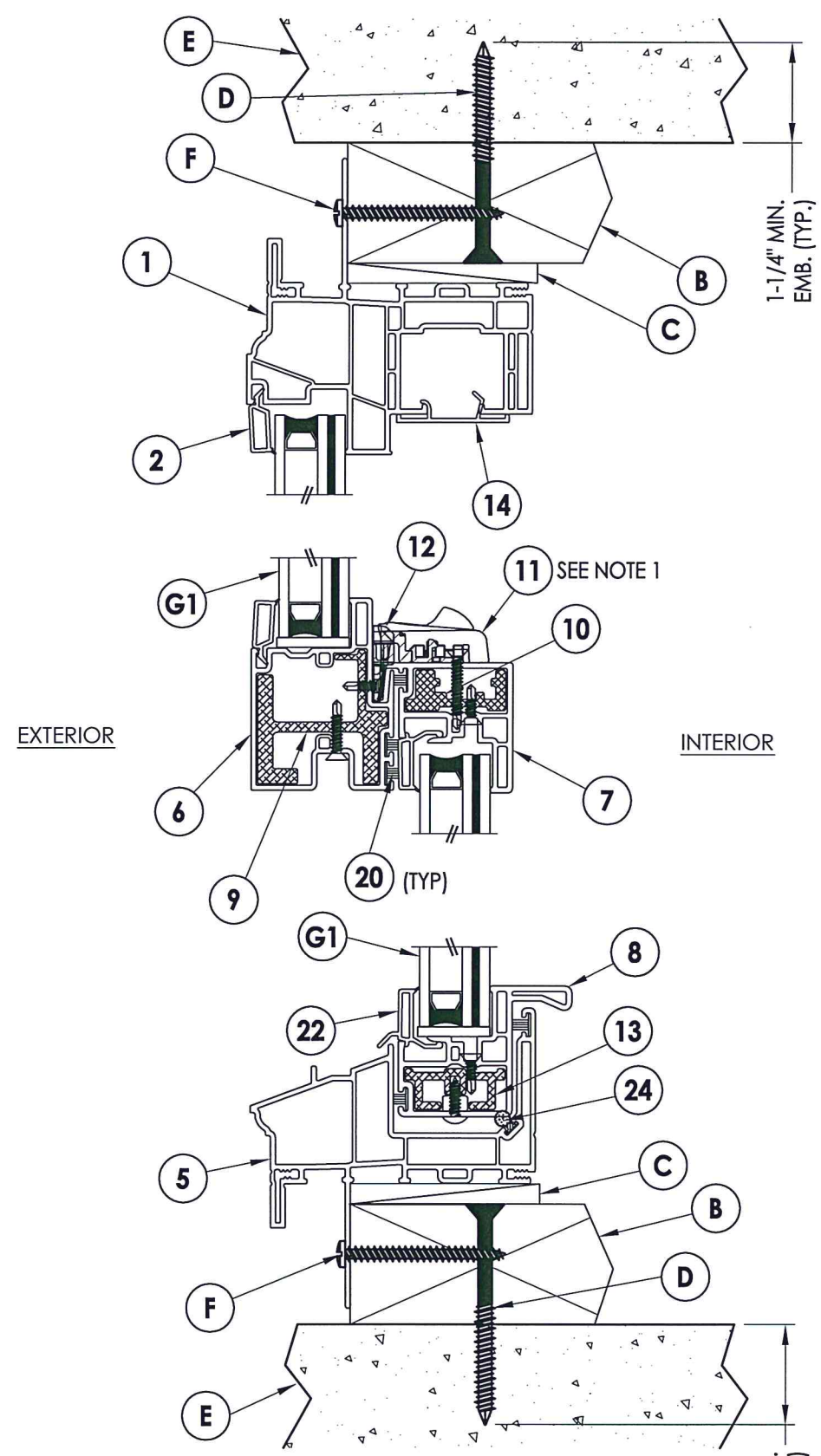
PRODUCT: SINGLE HUNG WINDOW	
PART OR ASSEMBLY: TYPICAL ELEVATION, DESIGN PRESSURES & GENERAL NOTES	
DATE	REVISIONS
6/26/15	UPDATE TO 5TH ED. (2014) FBC
NO.	BY
1	LFS
DATE: 2/17/14	
SCALE: N.T.S.	
DWG. BY: JK	
CHK. BY: LFS	
DRAWING NO.: FL-16854.5	
SHEET 1 OF 6	

\\Clients\Doers\PERMANENT\Florida Product Approvals\FL-16854 Windows - Single Hung Windows - Drawings\FL-16854 (2014)\FL-16854.1-6.dwg, 2-1

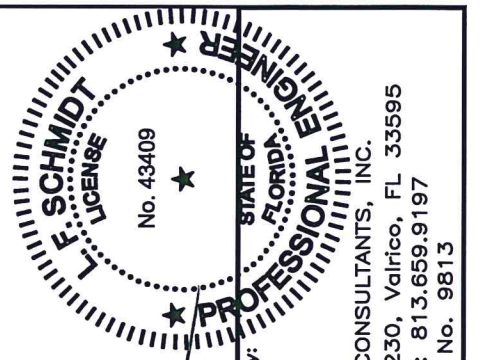
Note:
1. Lock and keeper located 7" from each end of lock/meeting rail.



1 HORIZONTAL CROSS SECTION
2 2X Buck Masonry Construction



2 VERTICAL CROSS SECTION
2 2X Buck Masonry Construction



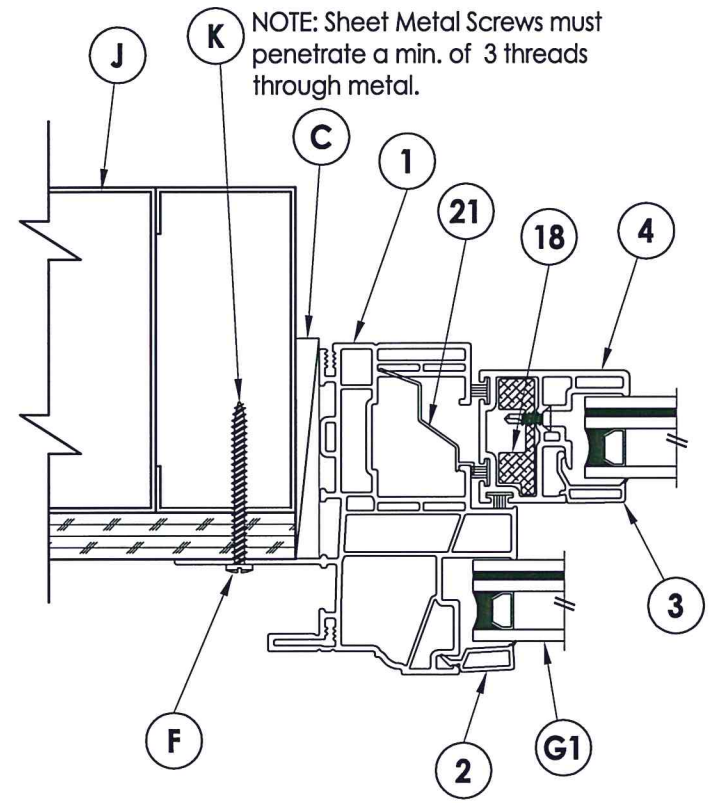
Documents Prepared By:
Lyndon F. Schmidt
P.E. No. 43409
LFS
6-30-15

RW BUILDING CONSULTANTS, INC.
P.O. Box 230, Valrico, FL 33595
Phone No.: 813.659.9197
FBPE C.A. No. 9813

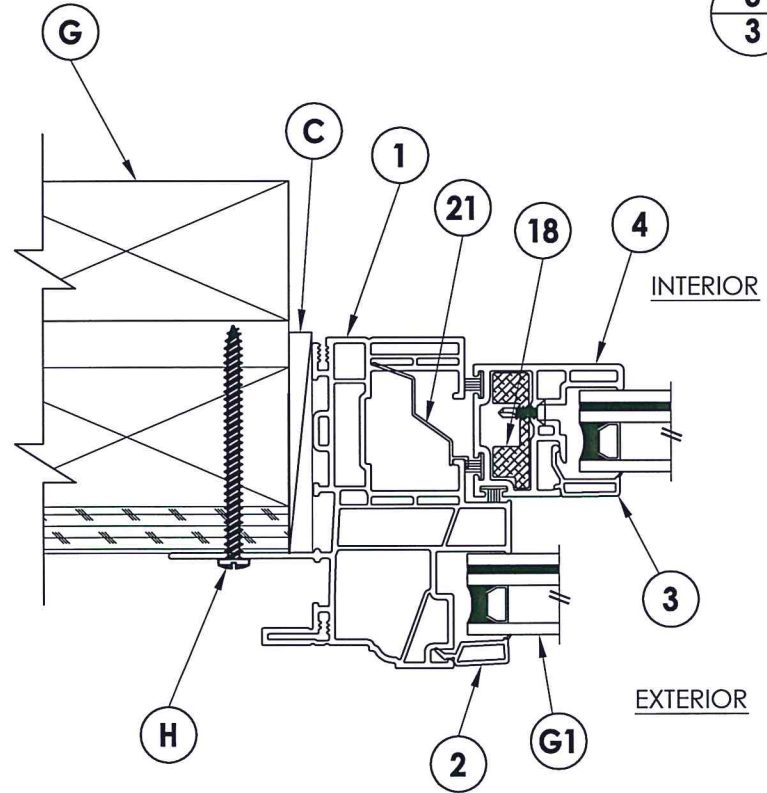
PRODUCT:		SINGLE HUNG WINDOW	
PART OR ASSEMBLY:		VERTICAL & HORIZONTAL CROSS SECTIONS	
DATE:	2/17/14	NO.	DATE
SCALE:	N.T.S.	1	6/26/15
DWG. BY:	JK	FBC	LFS
CHK. BY:	LFS	BY	BY
DRAWING NO.:	FL-16854.5	REVISIONS	
SHEET	2	OF 6	

C:\Clients\Doers\PERMANENT\Florida Product Approvals\FL-16854 Windows - Single Hung\FL-16854 (2014)\FL-16854.1-6.dwg, 3-1

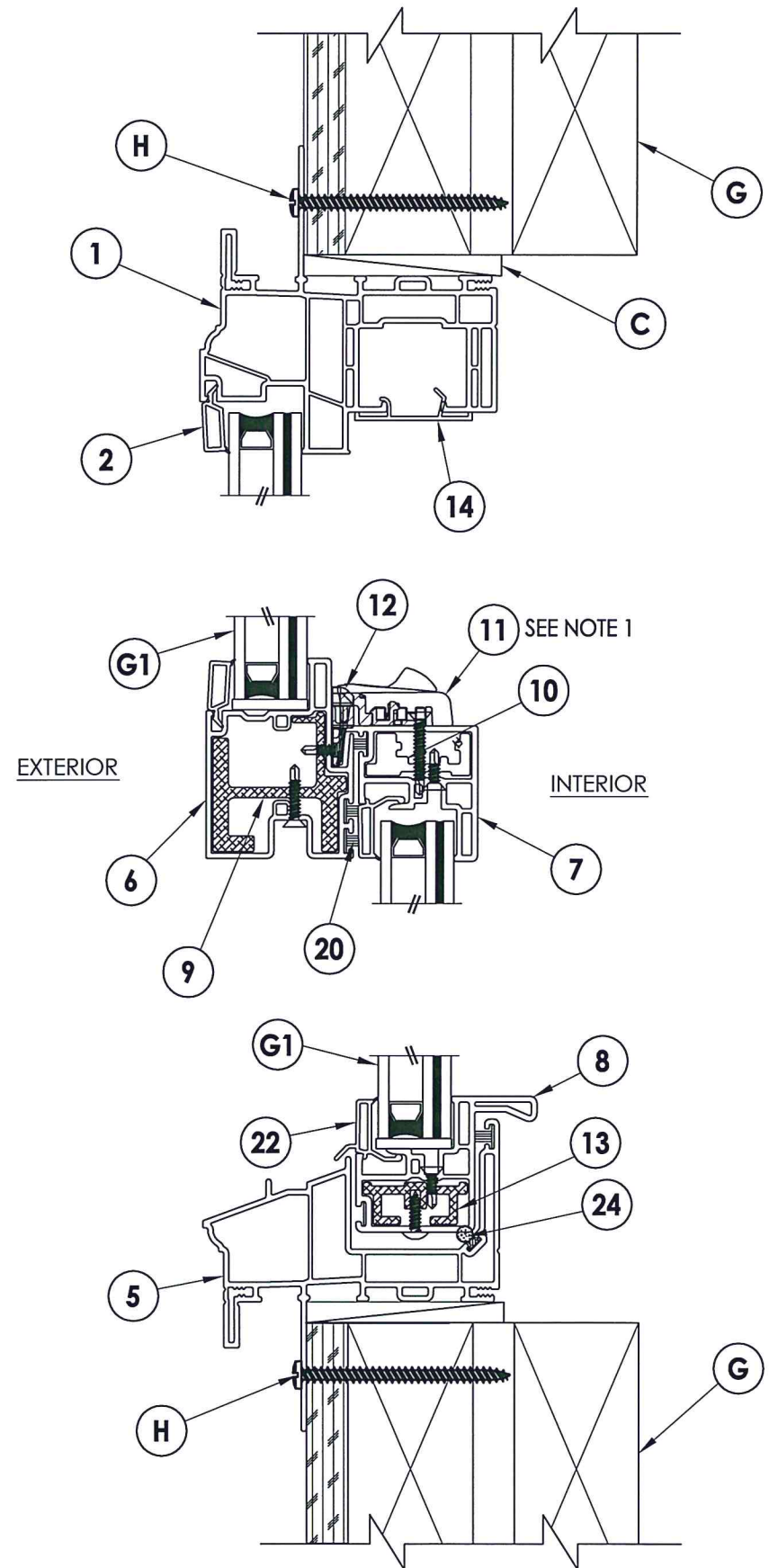
Note:
1. Lock and keeper located 7" from each end of lock/meeting rail.



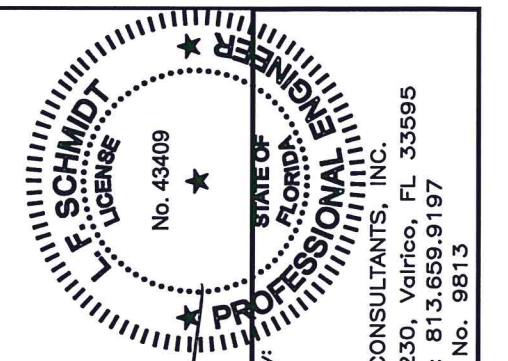
3 HORIZONTAL CROSS SECTION
Shown w/ Steel Stud Framing Option



1 HORIZONTAL CROSS SECTION
3 2X Buck Masonry Construction



2 VERTICAL CROSS SECTION
3 2X Buck Masonry Construction

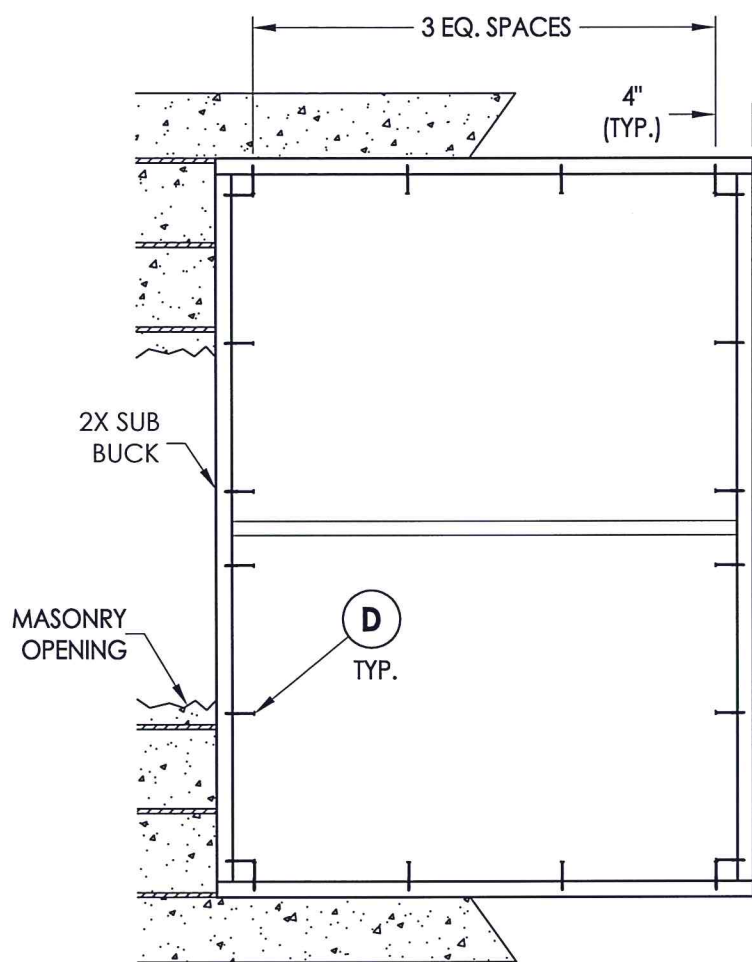


Documents Prepared By:
Lyndon F. Schmidt
P.E. No. 43409
6.3.15
R.W.
BUILDING CONSULTANTS, INC.
P.O. Box 230, Valrico, FL 33595
Phone No.: 813.659.9197
FBPE C.A. No. 9813

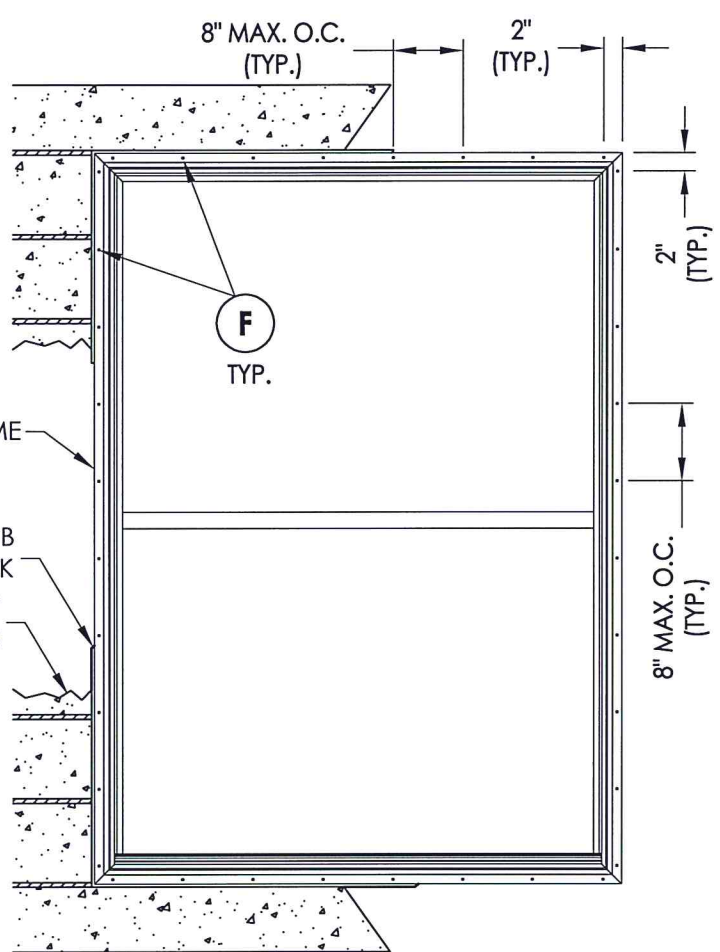
PRODUCT:	SINGLE HUNG WINDOW	
PART OR ASSEMBLY:	VERTICAL & HORIZONTAL CROSS SECTIONS	
DATE:	2/17/14	
SCALE:	N.T.S.	
DWG. BY:	JK	
CHK. BY:	LFS	
DRAWING NO.:	FL-16854.5	
SHEET	3 OF 6	
NO.	DATE	REVISIONS
1	6/26/15	UPDATE TO 5TH ED. (2014) FBC
		LFS
		BY

C:\Clients\Doers PERMANENT\Florida Product Approvals\FL-16854 Windows - Single Hung\C - Drawings\FL-16854 (2014)\FL-16854.1-6.dwg, 4-1

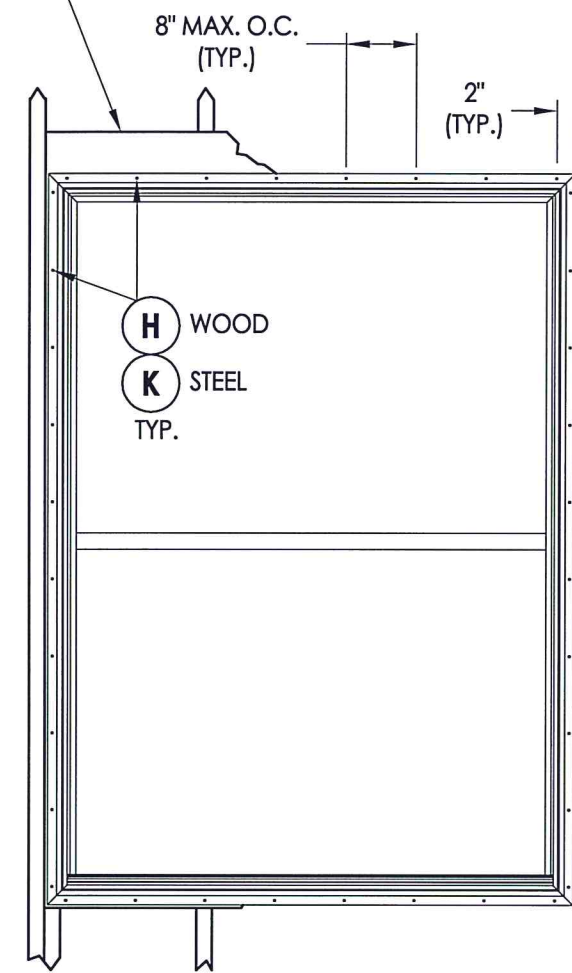
2X/STEEL STUD FRAMING TO BE DESIGNED BY THE ENGINEER OR ARCHITECT OF RECORD BASED ON WIND LOADS AND THE CLADDING BEING USED.



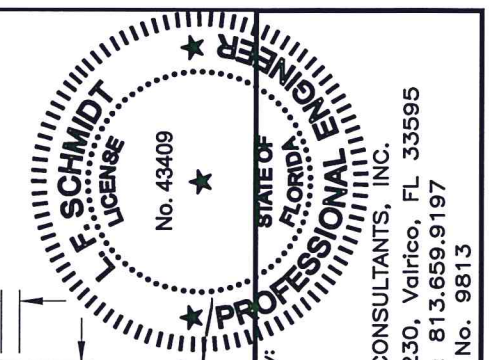
BUCK ANCHORING



FRAME ANCHORING
2X Buck Masonry Construction



FRAME ANCHORING
Stud Construction



Documents Prepared By:
Lyndon F. Schmidt
P.E. No. 43409
RW BUILDING CONSULTANTS, INC.
P.O. Box 230, Vairico, FL 33595
Phone No.: 813.659.9197
FBPE C.A. No. 9813

PRODUCT: SINGLE HUNG WINDOW
PART OR ASSEMBLY: BUCK & FRAME ANCHORING

NO.	DATE	BY	REVISIONS
1	6/26/15	LFS	UPDATE TO 5TH ED. (2014) FBC

DATE: 2/17/14
SCALE: N.T.S.
DWG. BY: JK
CHK. BY: LFS
DRAWING NO.: FL-16854.5
SHEET 4 OF 6

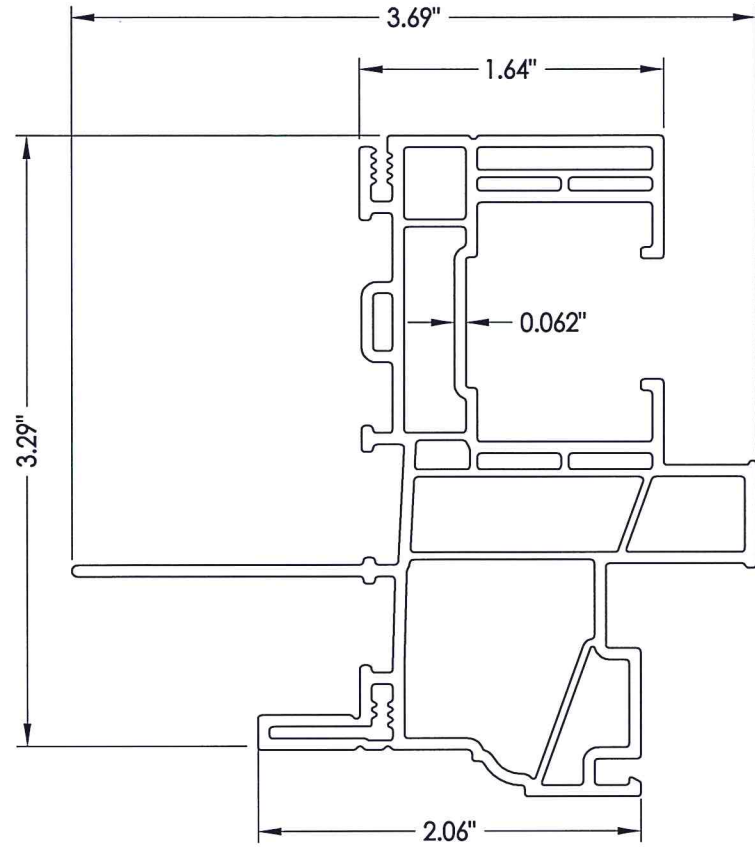
CONCRETE ANCHOR NOTES:

- Concrete anchor locations at the corners may be adjusted to maintain the min. edge distance to mortar joints.
- Concrete anchor locations noted as "MAX. ON CENTER" must be adjusted to maintain the min. edge distance to mortar joints, additional concrete anchors may be required to ensure the "MAX. ON CENTER" dimension are not exceeded.
- Concrete anchor table:

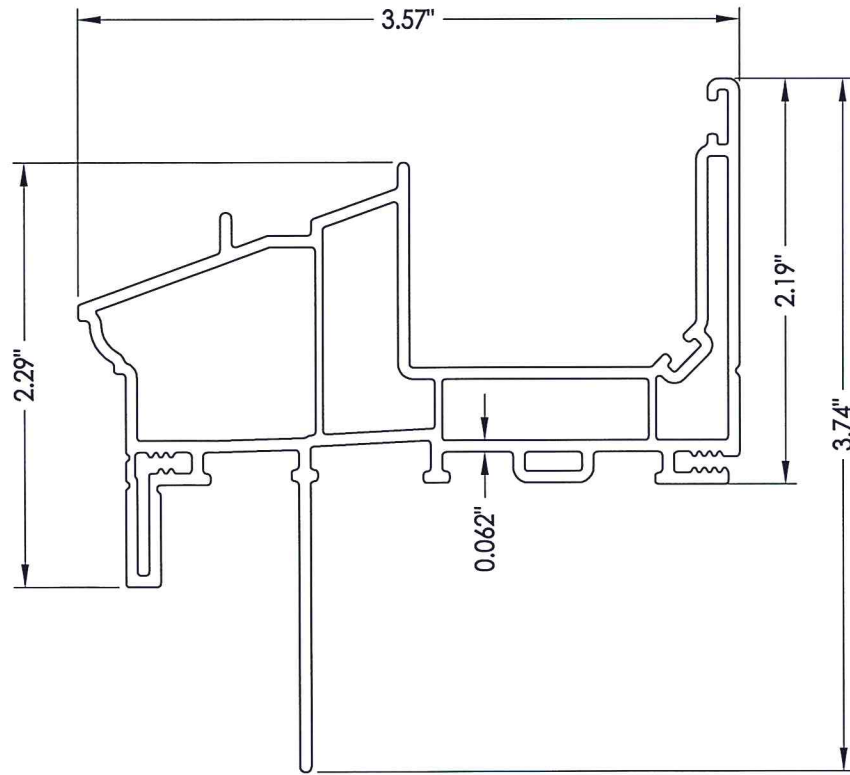
ANCHOR TYPE	ANCHOR SIZE	MIN. EMBEDMENT	MIN. CLEARANCE TO MASONRY EDGE	MIN. CLEARANCE TO ADJACENT ANCHOR
ITW TAPCON®	1/4"	1-1/4"	2"	4"
ELCO ULTRACON®	1/4"	1-1/4"	1"	4"

WOOD SCREW INSTALLATION NOTES:

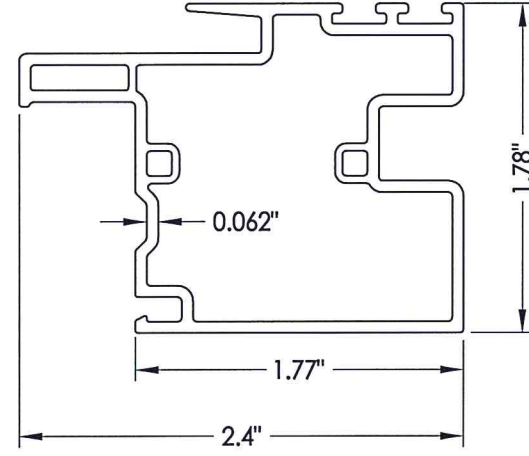
- Maintain a minimum 5/8" edge distance, 1" end distance, & 1" o.c. spacing of wood screws to prevent the splitting of wood.



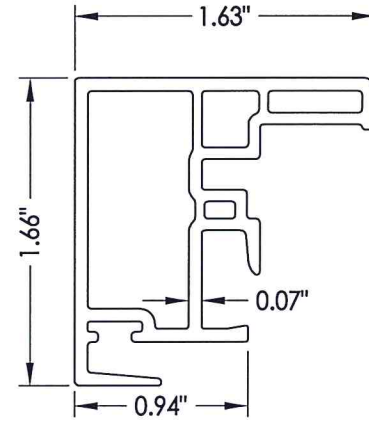
1 FRAME



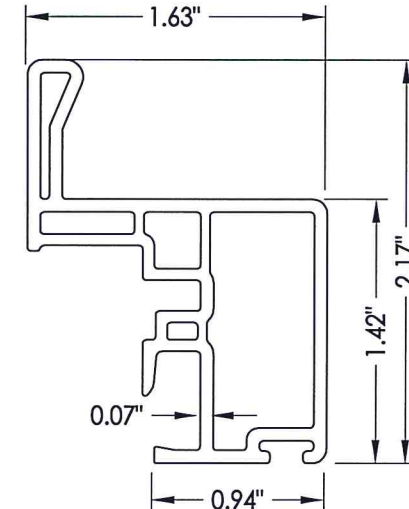
4 SILL



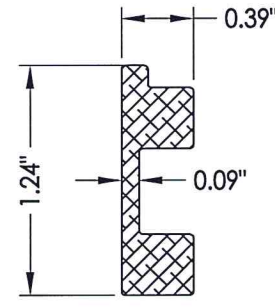
6 MEETING RAIL



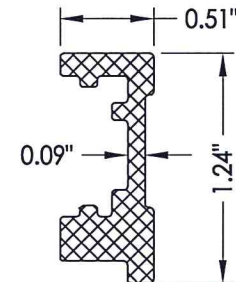
7 LOCK RAIL



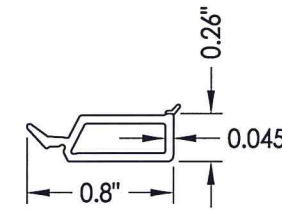
8 BOTTOM RAIL



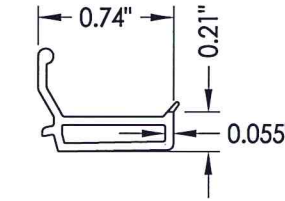
18 STILE REINFORCEMENT



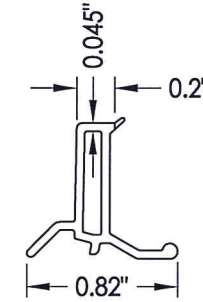
10 LOCK RAIL REINFORCEMENT



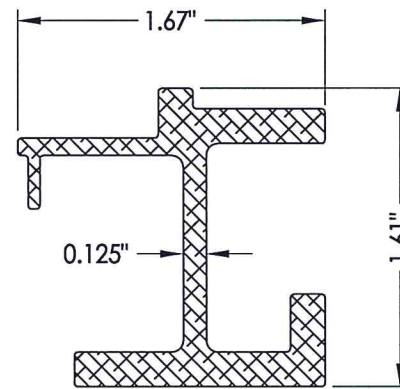
2 GLAZING BEAD



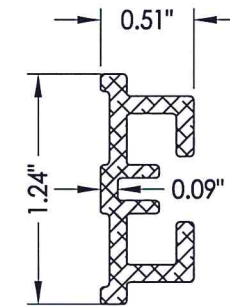
3 GLAZING BEAD



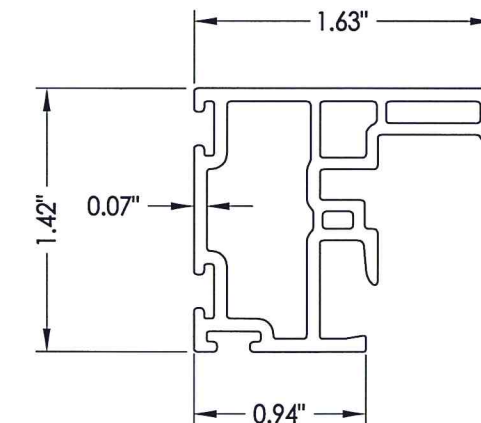
22 GLAZING BEAD
W/ Drip edge



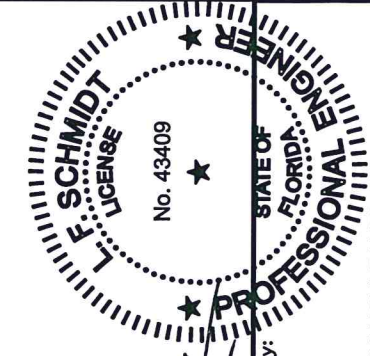
9 MEETING RAIL REINFORCEMENT



13 BOTTOM RAIL REINFORCEMENT



5 STILE



Documents Prepared By:
Lyndon F. Schmidt
P.E. No. 43409

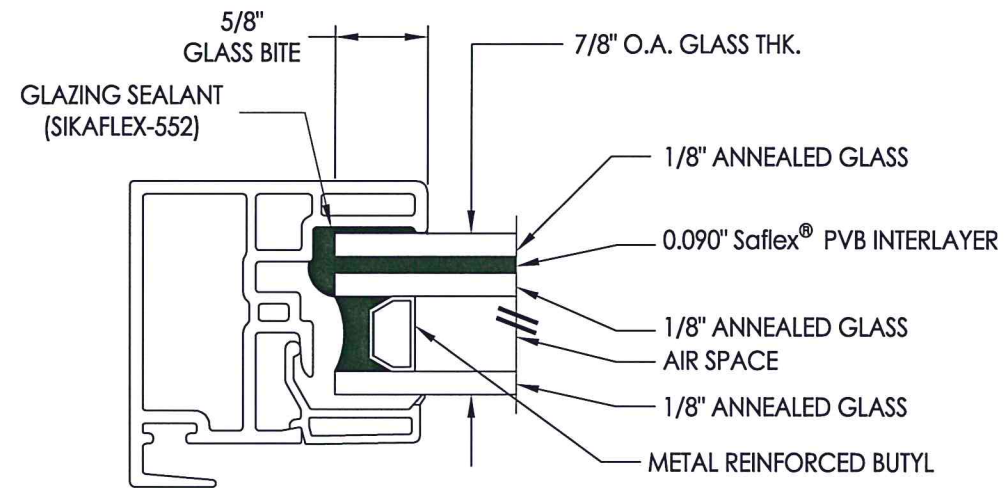
RW BUILDING CONSULTANTS, INC.
P.O. Box 230, Valrico, FL 33595
Phone No.: 813.659.9197
FBPE C.A. No. 9813

PRODUCT:		SINGLE HUNG WINDOW	
PART OR ASSEMBLY:		COMPONENTS	
NO.	DATE	REVISIONS	BY
1	6/26/15	UPDATE TO 5TH ED. (2014)	LFS
DATE: 2/17/14		SCALE: N.T.S.	
DWG. BY: JK		CHK. BY: LFS	
DRAWING NO.: FL-16854.5		SHEET 5 OF 6	

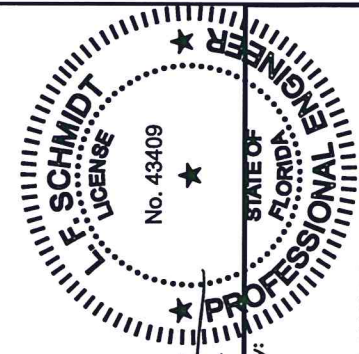
BILL OF MATERIALS

ITEM #	DESCRIPTION	MATERIAL
B	2X BUCK (SG >= 0.55)	WOOD
C	1/4" MAX. SHIM SPACE	-
D	1/4" X 2-3/4" PFH ELCO OR ITW CONCRETE SCREW	STEEL
E	MASONRY - 3,000 PSI MIN. CONCRETE CONFORMING TO ACI 301 OR HOLLOW BLOCK CONFORMING TO ASTM C90	CONCRETE
F	#10 X 2" PPH SMS (1-3/4" MIN. EMBEDMENT)	STEEL
G	2X STUD (SG >= 0.55)	WOOD
H	#10 X 2-1/2" PPH SMS (1-3/4" MIN. EMBEDMENT)	STEEL
J	STEEL STUD Min. Thk .033" (ASTM A653 GRADE 33 Fy=33 ksi min., Fu=45 ksi min.)	STEEL
K	#10 PPH SELF-DRILLING SMS	STEEL
1	EXTRUDED VINYL FRAME (455)*	RIGID PVC
2	EXTRUDED VINYL GLAZING BEAD (736A)*	RIGID PVC
3	EXTRUDED VINYL GLAZING BEAD (425A)*	RIGID PVC
4	SILL (459)*	RIGID PVC
5	STILE (438)*	RIGID PVC
6	MEETING RAIL (477)*	RIGID PVC
7	LOCK RAIL (476)*	RIGID PVC
8	BOTTOM RAIL (485B)*	RIGID PVC
9	MEETING RAIL REINFORCEMENT	6063 - T5 ALUM
10	LOCK RAIL REINFORCEMENT	6063 - T5 ALUM
11	SASH LOCK	-
12	KEEPER	-
13	BOTTOM RAIL REINFORCEMENT	6063 - T5 ALUM
14	HEAD ADAPTER (473)*	RIGID PVC
18	STILE REINFORCEMENT	6063 - T5 ALUM
20	WEATHERSTRIP	-
21	BALANCE COVER (468)	RIGID PVC
22	EXTRUDED VINYL GLAZING BEAD W/ DRIP EDGE (467)*	RIGID PVC
24	BULB GASKET (AMESBURY)	FOAM

* THE APPROVED WHITE RIGID PVC EXTERIOR EXTRUSIONS FOR WINDOWS ARE TO BE PRODUCED BY EXTRUDERS LICENSEES IN "AAMA CERTIFICATION PROGRAMS FOR RIGID PVC EXTRUSIONS".



G1 GLAZING DETAIL



L.R.
6.30.15

Documents Prepared By:
Lyndon F. Schmidt
P.E. No. 43409

R.W. BUILDING CONSULTANTS, INC.
P.O. Box 230, Valrico, FL 33595
Phone No.: 813.659.9197
FBPE C.A. No. 9813

PRODUCT: SINGLE HUNG WINDOW
PART OR ASSEMBLY: BILL OF MATERIALS AND GLAZING DETAILS

NO.	DATE	DESCRIPTION	LFS	BY
1	6/26/15	UPDATE TO 5TH ED. (2014) FBC		

DATE: 2/17/14
SCALE: N.T.S.
DWG. BY: JK
CHK. BY: LFS
DRAWING NO.: FL-16854.5
SHEET 6 OF 6